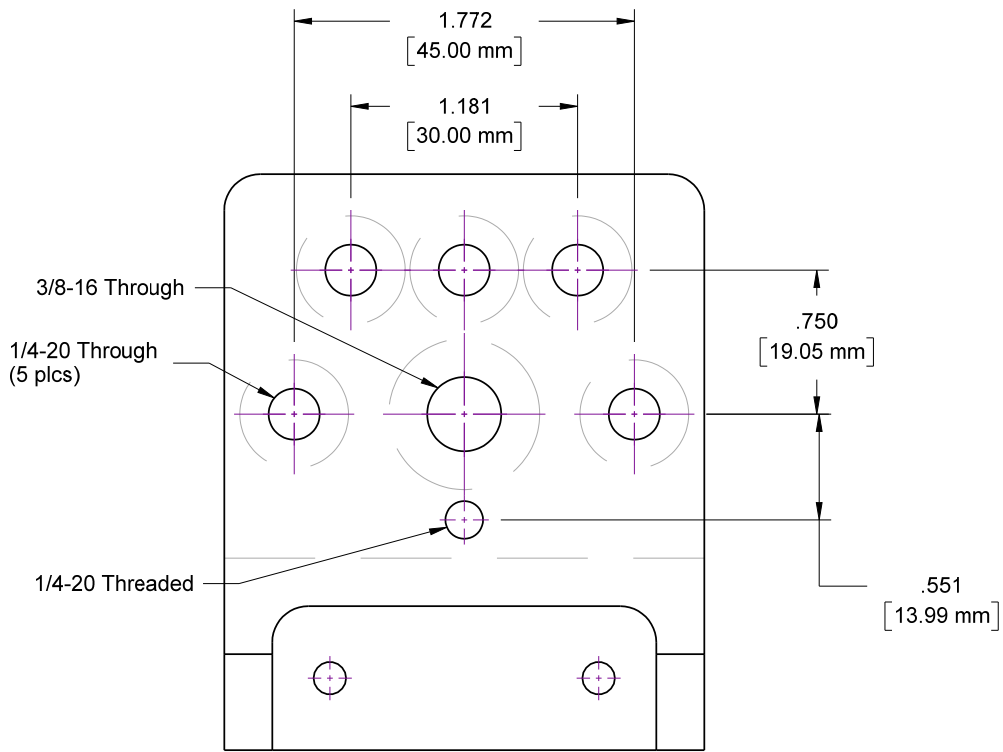
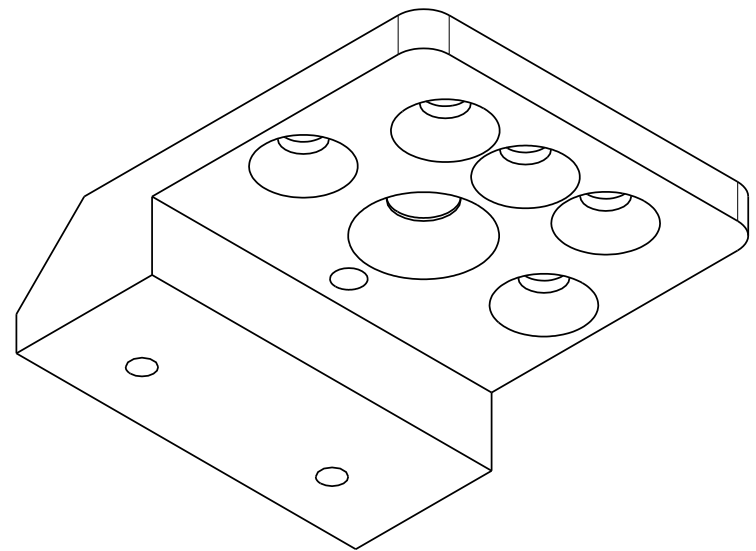


REVISIONS				
ZONE	REV	DESCRIPTION	DATE	APPROVED



TOP VIEW



Cognisys Inc.			
ARCA Clamp Mount			
SIZE A	DRAWN Cognisys Inc	REV	
SCALE	DATE September 1, 2010	SHEET	